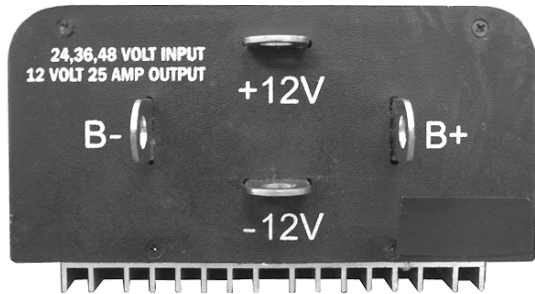


# NEW DC to DC CONVERTER!!!



## 511-1200



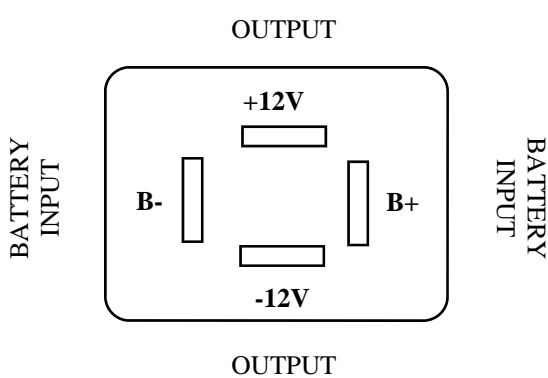
- Two years of testing completed!!
- ISO 9001: 2000 Certified

## SPECIFICATIONS:

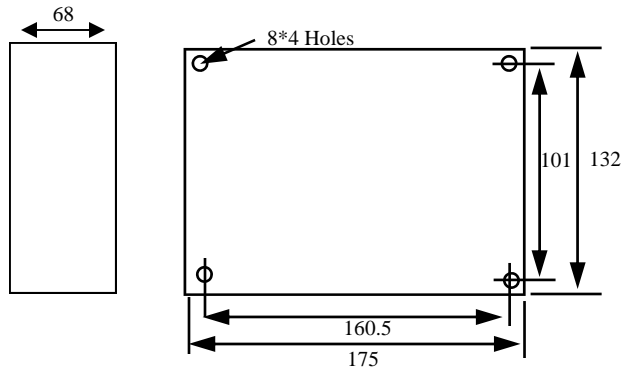
Input Voltage: **24-48 Vdc**  
Output Voltage: **12.5 Vdc ~ 0.5 Vdc**  
Optimum Temperature Range: **0-40 degree C**  
Maximum Output: **300W (25Amps)**  
Auto Thermal Shutdown

## FEATURES:

- **INSULATED GROUND**
- **EPOXY-SEALED CIRCUITRY**
- **SIMPLIFIED HARD-WIRED CONNECTIONS**



**FIG2: Terminal Connection**



**FIG1: Mounting Dimension**

**(OBSERVE: SEPARATE INPUTS - SEPARATE OUTPUTS)**

**\*\* DO NOT TIE GROUND CONNECTIONS TOGETHER OR DAMAGE TO UNIT WILL OCCUR!**



Canada: 3325 North Service Road, Unit 4, Burlington, Ontario L7N 3G2

U.S.A: 2215 Kenmore Ave, Buffalo, NY 14227

Tel: (905) 336-8830 Fax: (905) 336-8873 Toll Free: 1-800-387-4078 Toll Free Fax: 1-888-858-9317

Visit Our Web: [www.elreg.com](http://www.elreg.com) E-mail: [elreg@elreg.com](mailto:elreg@elreg.com)