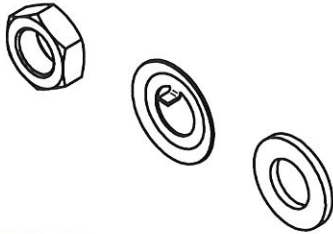


1

KIT, PULLEY HARDWARE
25 000 3001

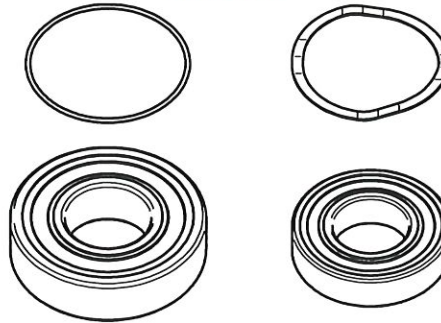


NUT 7/8-14 UNF - 2B:
TORQUE 245 - 298 Nm, NO LOCTITE

REPLACES: 1370028081

2

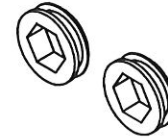
KIT, BEARING
25 000 4000



REPLACES: 1370028083

3

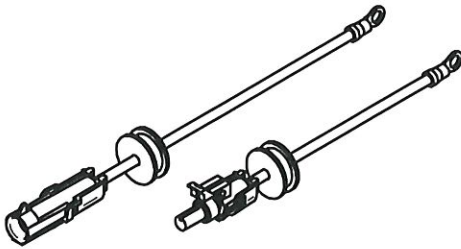
KIT, GROMMET
25 000 2103



REPLACES: 1370028088

4

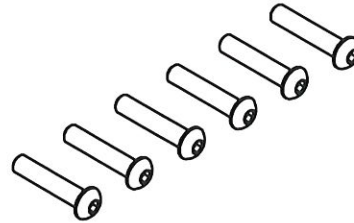
KIT, F1 AND AC HARNESS
25 000 8090



REPLACES: 1370028090

5

KIT, FRONT EXCITER HARDWARE
25 000 3104



BOLT, M8 x 40 10.9:
TORQUE 16.0 ± 1.6 Nm, USE LOCTITE 243

REPLACES: 1370028230

ITEM
24

5	25 000 3104	KIT, FRONT EXCITER HARDWARE	1
4	25 000 8090	KIT, F1 AND AC HARNESS	1
3	25 000 2103	KIT, GROMMET	1
2	25 000 4001	KIT, BEARING	1
1	25 000 3001	KIT, PULLEY HARDWARE	1
ITEM	PART NUMBER	DESCRIPTOIN	QTY.

Scale	Mass	Material
1:1		
Sheet	Name	
1/1	ALTERNATOR BEARING REMAN KIT	

TECHNICAL REQUIREMENTS

1. REPLACES: 7500028241

PROPRIETARY AND CONFIDENTIAL

THE INFORMATION CONTAINED IN THIS DRAWING IS THE SOLE PROPERTY OF ALMOTT. ANY REPRODUCTION IN PART OR AS A WHOLE WITHOUT THE WRITTEN PERMISSION OF UFT IS PROHIBITED.

Mark	Name	Signature	Date
DESIG	Penev		04.05.17
CHK'D	Doychev		
MFG	Ivanov		04.05.17
Q.A	Popov		04.05.17



Draw No.

25 000 4001