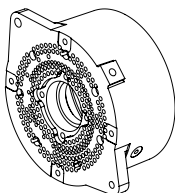

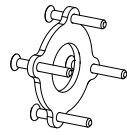
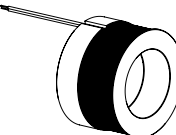
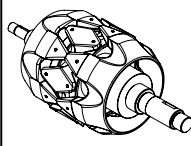
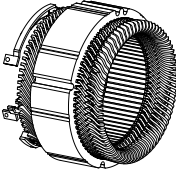
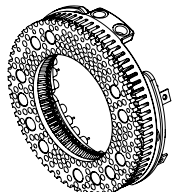
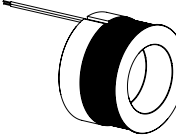
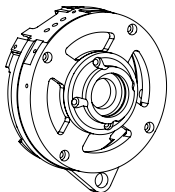
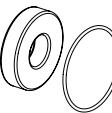
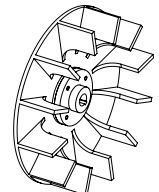
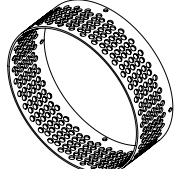
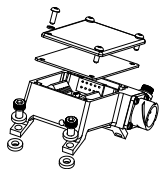
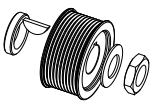
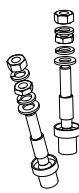



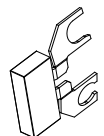


Group:	AB210 Alternator series	Notes:
Form:	SP4020_AB210_extract	0. First issue.
Date:	22 Nov 2017 (Rev:2)	1. 1287070 added.
File:	Alternator parts list section	2. 1287050, 1287080, 1287100, 1287170 added.

Component view	Front housing	Front bearing	Front bearing retainer kit	Coil (front)	Rotor	Stator
						
Model	1	2	3	4	5	6
1287170	6531-244	6360-251	6531-200	6531-104	6531-2	6531-79

Component view	Rectifier kit	Coil (rear)	Rear housing	Rear bearing kit	Fan kit	Fan guard kit
						
Model	7	8	9	10	11	12
1287170	6531-426A	6531-315A	6531-182	6531-202	6531-203	6531-204A

Component view	Regulator kit	Pulley & retainer kit	Positive terminal kit	Negative terminal kit	Earth stud kit	Sundries kit
						
Model	13	14	15	16	17	18
1287170	6531-205D	6531-206	6531-207B	6531-207C	6531-208A	6531-209B

Component view	Oil seal kit	Suppressor	Comments
			
Model	18	19	
1287170	-	6531-408	

Important: The information contained in this bulletin is intended for use by trained, professional technicians who have the proper tools, equipment, and training to perform the required maintenance described above. This information is NOT intended for 'do-it-yourselfers', and you should not assume that this information applies to your equipment. If you have any questions regarding this information please visit our website at [www.prestolite.com](http://www.prestolite.com), or contact our technical service department at: