

**CRADLE**  
**28V / 450 A**

Part Number: 25AT-221711-234

Ductless without noise suppression filter

Part Number: 25AT-221711-235

Ductless with noise suppression filter

## HEAVY DUTY BRUSHLESS ALTERNATOR



The compact 25AT design Heavy Duty brushless alternator, is an innovative power generating system, best suited for applications demanding high output at low rpm. Thanks to the progressive stator technology and the high precision assembly process, this alternator is capable of reaching efficiency levels of over 87,4%. The impressive output at engine idle makes this alternator a natural choice for a wide range of transit vehicles.

- High output at @2000 RPM
- High Efficiency over 87,4 %
- Low Inertia Advantage
- Low RPM Turn On
- Superior Air Cooled Alternator

- Robust construction
- Easy Installation
- Long bearing life
- Industry Std Mounting & Electrical Interface
- Ground isolated

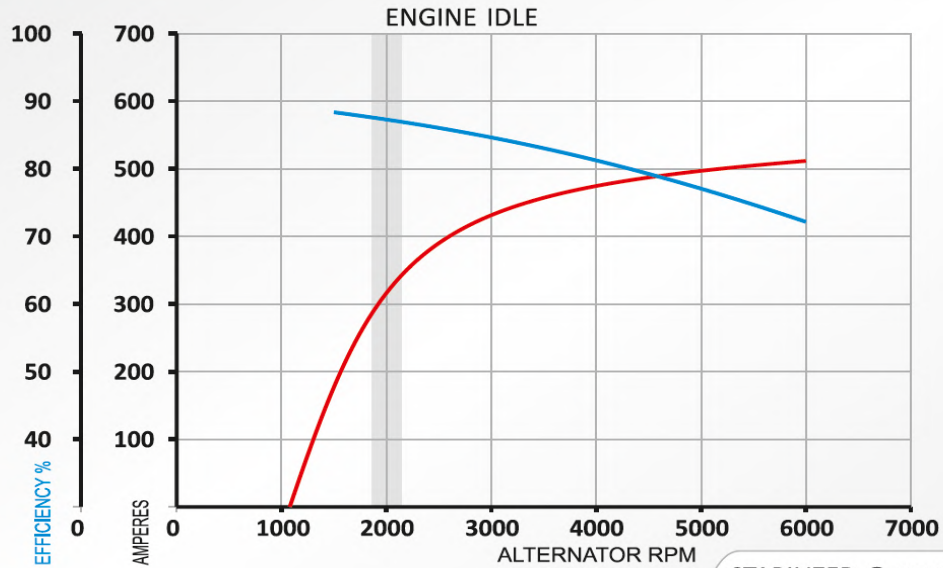


### Applications

- Transit Bus
- Construction
- Fire & Rescue
- Agriculture
- Military
- Mining
- Marine & Rail (E.I.P. Compliant)



## Performance Curve



STABILIZED @ 23 °C (73 °F) SAE J56

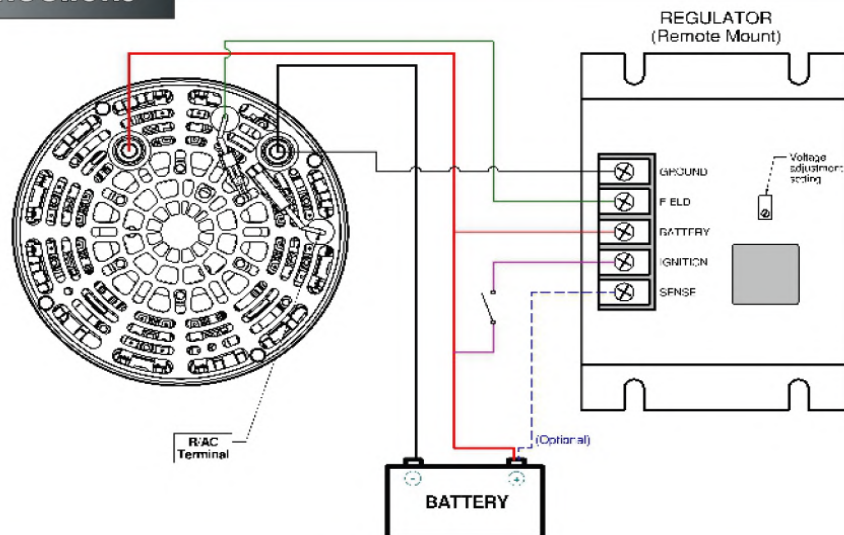


## Specifications

|                            |                            |                      |              |
|----------------------------|----------------------------|----------------------|--------------|
| <b>System Voltage</b>      | <b>24V</b>                 | <b>Mounting</b>      | Cradle Style |
| <b>Rated Output:</b>       | 500A                       | <b>Speed limits:</b> | 6500 RPM     |
| <b>Output @ 2000 rpm:</b>  | 315A                       | <b>Weight:</b>       | 46 kg        |
| <b>Temperature limits:</b> | -Low: -40°C / -High: 125°C | <b>Regulator:</b>    | Remote       |
| <b>Turn on speed:(RPM)</b> | 1100                       | <b>Rotation:</b>     | CW           |



## Connections



## CONTACT US

**CONTACT OUR FACTORY AUTHORIZED DISTRIBUTOR FOR MORE INFORMATION:**



Canada: 3-1175 Corporate Drive, Burlington, Ontario, L7L 5V5  
 U.S.A: 555 Riverwalk Parkway, Tonawanda, NY 14150  
 Tel: (905) 336-8830 Fax: (905) 336-8873 Toll Free: 1-800-387-4078 Toll Free Fax: 1-888-858-9317